

### Current Transformers for Switching Power Supply

Japan

Type: **FJ04**



Transformer for over current detection of switching power supply



Industrial Property: Patents 2 (pending)

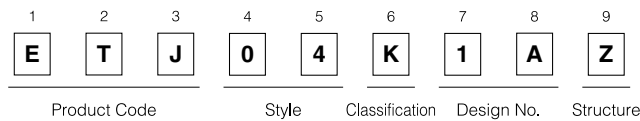
#### ■ Features

- Small and Low profile
- Low-loss
- Capable of automatic mounting

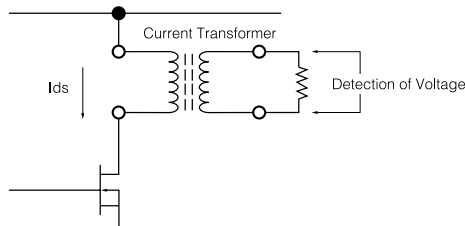
#### ■ Recommended Applications

- On-board power supply
- Power module

#### ■ Explanation of Part Numbers



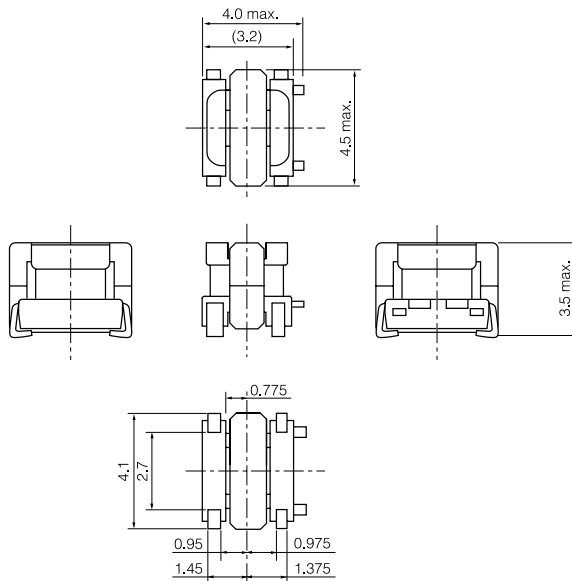
#### ■ Applied Diagram Examples



### ■ Performance Characteristics

		FJ04Z
Operating Temperature		- 40 °C to 115 °C
Frequency Range		f = 200 kHz to 500 kHz, Duty = 30 % to 50 %
DCR (at 20 °C)	Pri.	3.0 mΩ max.
	Sec.	17 Ω (Tolerance : ± 20 %)
Winding Ratio	P : S	1 : 150
Dielectric Withstanding Volt.	P : S	AC 500 V [rms], 1 min.

### ■ Dimensions in mm (not to scale)



Recommended Land Pattern in mm (not to scale)

